

DATE	DESCRIPTION

EXTERIOR ELEVATION

MJW  
PROJECT #18007

**A300**

04/23/19

THIS DRAWING IS THE PROPERTY OF WIEDRICK ARCHITECTURE INCORPORATED. IT IS NOT TO BE USED ON ANY OTHER PROJECT. IT SHALL BE RETURNED UPON REQUEST. COPYRIGHT AS DATED.

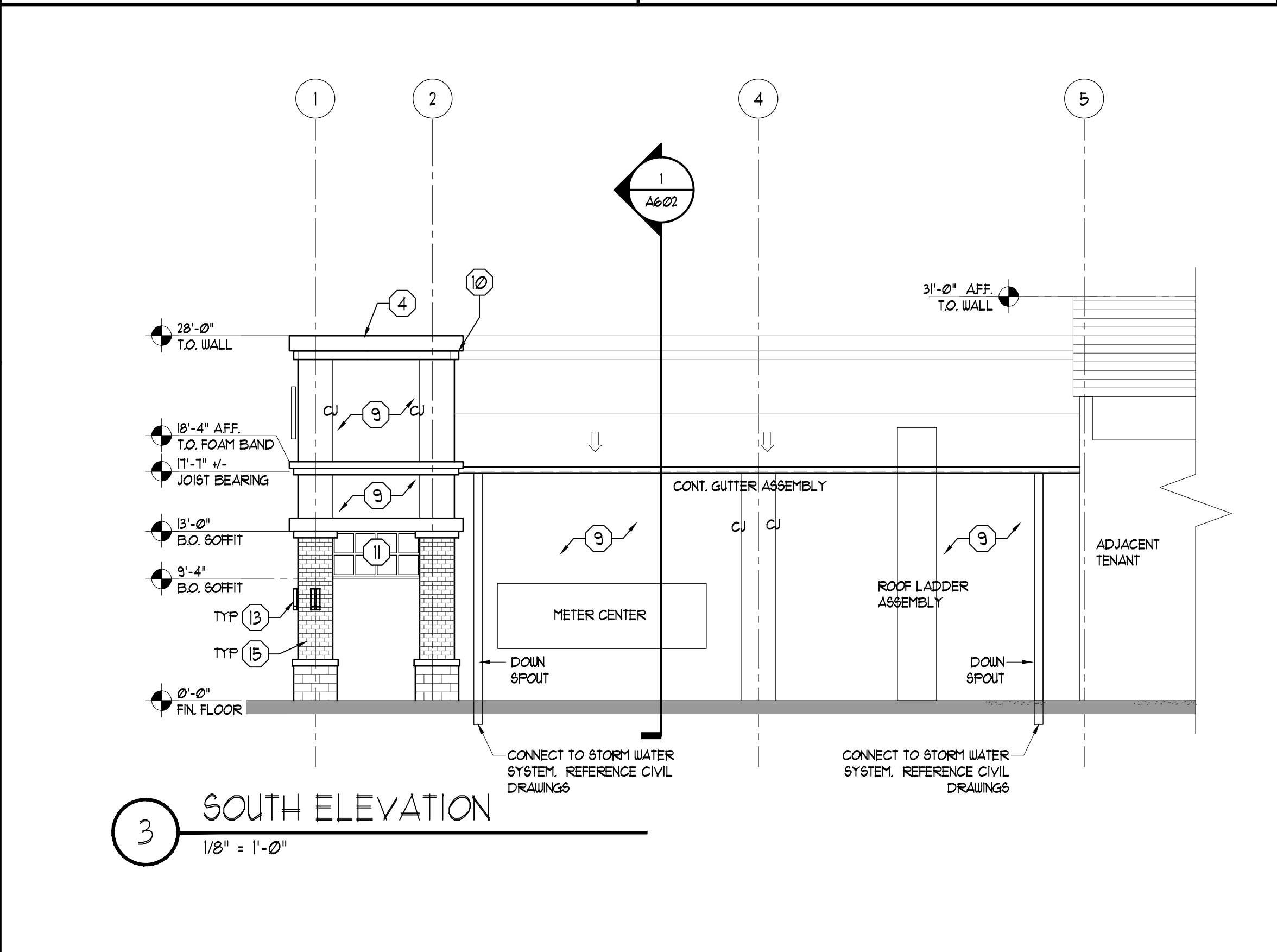
- ### GENERAL CONSTRUCTION NOTES
- REFER TO THIS SHEET FOR PARTITION TYPES AND SECTIONS.
  - VERIFY ALL DIMENSIONS SHOWN ON PLAN, DO NOT SCALE DRAWINGS. NOTIFY ARCHITECT WITH ANY DISCREPANCIES PRIOR TO CONSTRUCTION.
  - VERIFY ALL DIMENSIONS SHOWN ON PLAN, DO NOT SCALE DRAWINGS. NOTIFY ARCHITECT WITH ANY DISCREPANCIES PRIOR TO CONSTRUCTION.
  - REPAIR ALL EXISTING WALLS AS REQUIRED TO RECEIVE PAINT COORDINATE FINAL FINISH SELECTION WITH OWNER.
  - ALIGNMENT OF DOOR HEADS AND OTHER CRITICAL HORIZONTAL ELEMENTS SHALL BE MAINTAINED AT A CONSTANT LEVEL RELATIVE TO THE CEILING PLANE.
  - G.C. TO SUBMIT EXTERIOR FINISH SAMPLES AND SHOP DRAWINGS TO THE ARCHITECT AND OWNER FOR APPROVAL PRIOR TO CONSTRUCTION.
  - PROVIDE EP/STUCCO EXPANSION JOINTS PER MANUFACTURER RECOMMENDATIONS. SEALANT COLOR TO MATCH.
  - ALL EXTERIOR PAINT TO BE A THREE (3) COAT SYSTEM. ONE (1) PRIMER AND TWO (2) FINISH COATS.
  - VERIFY ALL EXTERIOR FINISHES WITH THE OWNERS CONSTRUCTION REPRESENTATIVE PRIOR TO PURCHASE AND/OR INSTALLATION.

- ### STUCCO NOTES
- STUCCO CONTROL JOINTS TO BE PER ELEVATIONS.
  - SEE DETAIL 4 THIS SHEET FOR STUCCO CONTROL JOINT DETAIL.
  - ALL STUCCO TO RECEIVE LIGHT LACE KNOCK-DOWN TEXTURE.
  - THE PORTLAND CEMENT BASED STUCCO SHALL MEET THE REQUIREMENTS OF ASTM C 932.
  - IN AREAS REQUIRING METAL LATH, THE REQUIREMENTS AND STANDARDS OF ASTM C 1063 SHALL BE IMPLEMENTED.
  - STUCCO BONDING AGENTS ON EXTERIOR SURFACES SHALL MEET THE REQUIREMENTS OF ASTM C 932.
  - VERIFY ALL EXTERIOR FINISHES WITH THE OWNERS CONSTRUCTION REPRESENTATIVE PRIOR TO PURCHASE AND/OR INSTALLATION.

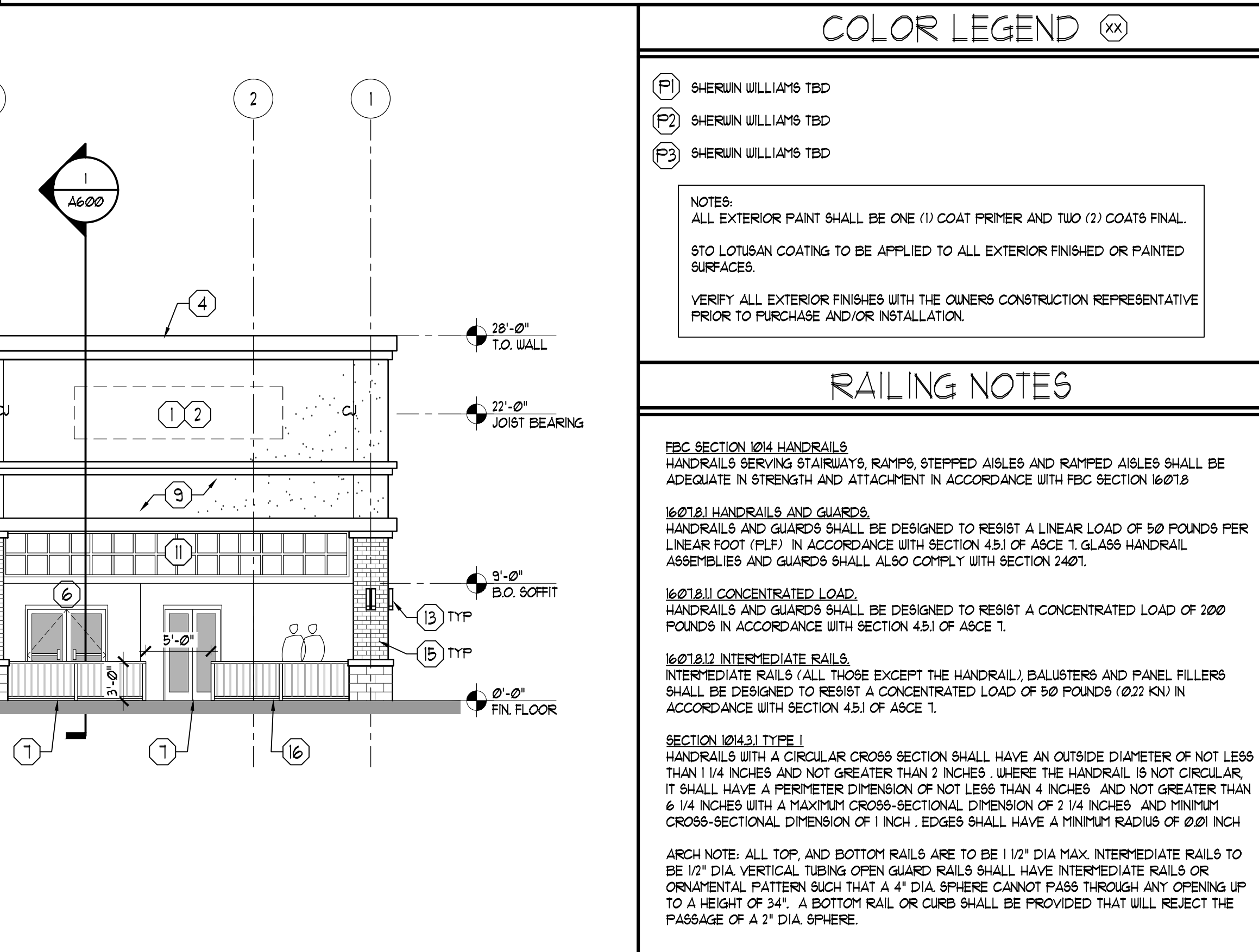
- ### KEY NOTES (XX)
- CONTRACTOR TO PROVIDE 4'x8' FRT FLYWOOD FOR FUTURE SIGNAGE FURNISHED AND INSTALLED BY TENANT UNDER SEPARATE PERMIT. REF. WALL SECTIONS FOR ADDITIONAL INFORMATION.
  - JUNCTION BOX FOR FUTURE TENANT SIGNAGE - MAKE WEATHERPROOF AS REQUIRED. REFERENCE ELECTRICAL DRAWINGS.
  - PAINTED METAL COPING TO MATCH WALL COLOR.
  - STANDING SEAM METAL ROOF BELOW WITH KYNAR FINISH- G.C. TO SUBMIT COLOR SAMPLES FOR APPROVAL PRIOR TO PURCHASE- COORDINATE WITH WALL SECTIONS.
  - PROVIDE SADDLE FLASHING AT PARAPET TRANSITION.
  - BUILDING ADDRESS: VERIFY NUMBERS, LOCATION AND HEIGHT WITH FIRE MARSHALL (12" HIGH MINIMUM) NUMBERS MUST CONTRAST WITH BACKGROUND.
  - ANODIZED ALUMINUM STOREFRONT AND DOORS.
  - KNOX BOX. MOUNT AT 63" ABOVE FINISH FLOOR. CONFIRM FINAL LOCATION WITH FIRE MARSHALL.
  - STUCCO FINISH - REFERENCE WALL SECTIONS AND STUCCO NOTES FOR FOR ADDITIONAL INFORMATION.
  - EXTEND STUCCO ASSEMBLY AROUND THE SIDE OF THE NEW PARAPET ASSEMBLY. PROVIDE TRANSITION FLASHING AT REAR FACE OF PARAPET AT TRANSITION TO SINGLE FLY (TPO) ROOF MEMBRANE. REF. WALL SECTIONS FOR ADDITIONAL INFORMATION.
  - CUSTOM SHADING BRACKET.
  - STANDING SEAM METAL ROOF BELOW WITH KYNAR FINISH- G.C. TO SUBMIT COLOR SAMPLES FOR APPROVAL PRIOR TO PURCHASE- COORDINATE WITH WALL SECTIONS.
  - COLUMN SCIENCE - REF. ELECTRICAL DRAWINGS.
  - STUCCO CONTROL JOINT.
  - COLUMN OPTION: THIN BRICK VENEER OPTION AT COLUMNS. CONTRACTOR TO INCLUDE AS LINE OPTION IN BID. VERIFY OPTION WITH THE OWNERS CONSTRUCTION REPRESENTATIVE PRIOR TO PURCHASE AND/OR INSTALLATION. IF OPTION IS NOT EXECUTED, STUCCO FINISH IS THE DEFAULT.
  - RAILING OPTION: NEW ALUMINUM RAILING ASSEMBLY, POWDER COATED BLACK. CONTRACTOR TO SUBMIT ENGINEERED SHOP DRAWINGS FOR REVIEW AND APPROVAL PRIOR TO PURCHASE AND OR INSTALLATION. SEE RAILING NOTES THIS SHEET.

- ### COLOR LEGEND (XX)
- (F1) SHERWIN WILLIAMS TBD  
(F2) SHERWIN WILLIAMS TBD  
(F3) SHERWIN WILLIAMS TBD
- NOTES:  
ALL EXTERIOR PAINT SHALL BE ONE (1) COAT PRIMER AND TWO (2) COATS FINAL.  
STO LOTUSAN COATING TO BE APPLIED TO ALL EXTERIOR FINISHED OR PAINTED SURFACES.  
VERIFY ALL EXTERIOR FINISHES WITH THE OWNERS CONSTRUCTION REPRESENTATIVE PRIOR TO PURCHASE AND/OR INSTALLATION.

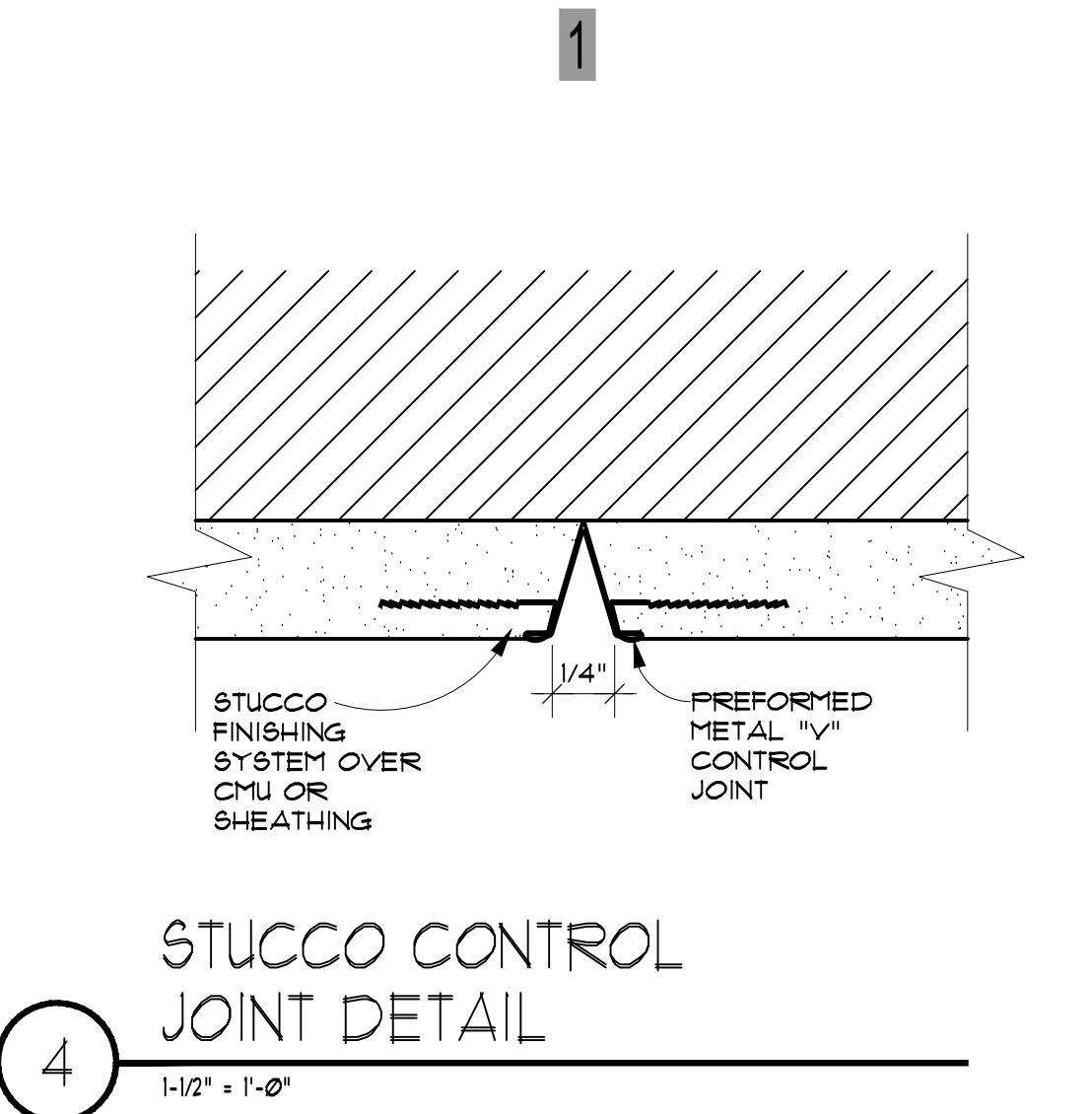
- ### RAILING NOTES
- FBC SECTION 1014 HANDRAILS  
HANDRAILS SERVING STAIRWAYS, RAMPS, STEPPED AISLES AND RAMPED AISLES SHALL BE ADEQUATE IN STRENGTH AND ATTACHMENT IN ACCORDANCE WITH FBC SECTION 1012.
- 1012.1 HANDRAILS AND GUARDS  
HANDRAILS AND GUARDS SHALL BE DESIGNED TO RESIST A LINEAR LOAD OF 50 POUNDS PER LINEAR FOOT (PLF) IN ACCORDANCE WITH SECTION 4.5) OF ASCE 7. GLASS HANDRAIL ASSEMBLIES AND GUARDS SHALL ALSO COMPLY WITH SECTION 2407.
- 1012.1.1 CONCENTRATED LOAD  
HANDRAILS AND GUARDS SHALL BE DESIGNED TO RESIST A CONCENTRATED LOAD OF 200 POUNDS IN ACCORDANCE WITH SECTION 4.5) OF ASCE 7.
- 1012.1.2 INTERMEDIATE RAILS  
INTERMEDIATE RAILS (ALL THOSE EXCEPT THE HANDRAIL) BALUSTERS AND PANEL FILLERS SHALL BE DESIGNED TO RESIST A CONCENTRATED LOAD OF 50 POUNDS (0.22 KN) IN ACCORDANCE WITH SECTION 4.5) OF ASCE 7.
- SECTION 1014.3) TYPE I  
HANDRAILS WITH A CIRCULAR CROSS SECTION SHALL HAVE AN OUTSIDE DIAMETER OF NOT LESS THAN 1 1/4 INCHES AND NOT GREATER THAN 2 INCHES. WHERE THE HANDRAIL IS NOT CIRCULAR, IT SHALL HAVE A PERIMETER DIMENSION OF NOT LESS THAN 4 INCHES AND NOT GREATER THAN 6 1/4 INCHES WITH A MAXIMUM CROSS-SECTIONAL DIMENSION OF 2 1/4 INCHES AND MINIMUM CROSS-SECTIONAL DIMENSION OF 1 INCH. EDGES SHALL HAVE A MINIMUM RADIUS OF 0.01 INCH
- ARCH NOTE: ALL TOP, AND BOTTOM RAILS ARE TO BE 1 1/2" DIA MAX. INTERMEDIATE RAILS TO BE 1/2" DIA. VERTICAL TUBING OPEN GUARD RAILS SHALL HAVE INTERMEDIATE RAILS OR ORNAMENTAL PATTERN SUCH THAT A 4" DIA SPHERE CANNOT PASS THROUGH ANY OPENING UP TO A HEIGHT OF 34". A BOTTOM RAIL OR CURB SHALL BE PROVIDED THAT WILL REJECT THE PASSAGE OF A 2" DIA. SPHERE.



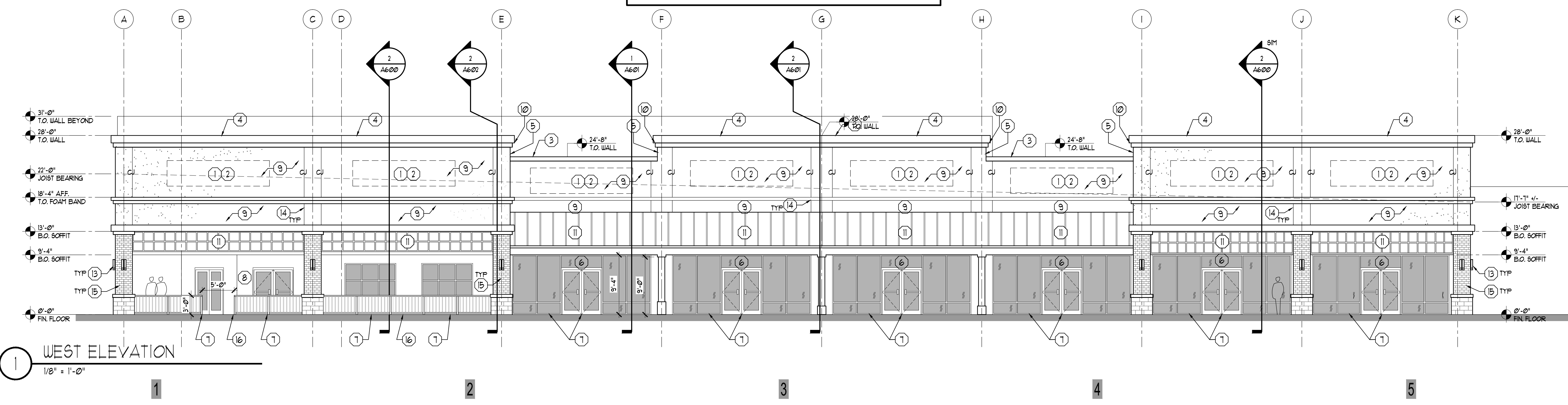
**3 SOUTH ELEVATION**  
1/8" = 1'-0"



**2 NORTH ELEVATION**  
1/8" = 1'-0"



**4 STUCCO CONTROL JOINT DETAIL**  
1/12" = 1'-0"



**1 WEST ELEVATION**  
1/8" = 1'-0"